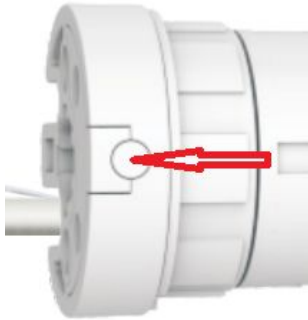


pair a motor(three ways):

Learning button on motor: the round button at each motor's head.

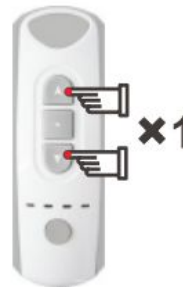


Learning button on emitter:

- Method A: the round hole at back side of each emitter, you need to use a paperclip to poke it.
- Method B: press UP and Down buttons simultaneously.



Method A



Method B

1. short press motor's learning button, the motor will vibrate, means the motor is at pairing state.
short press emitter's learning button one time within 10S.
short press emitter's UP button, motor vibrates, the remote is paired to the motor
2. power on the motor, the motor will vibrate, means the motor is at pairing state.
short press emitter's learning button one time within 10S.
short press emitter's UP button, motor vibrates, the remote is paired to the motor.
3. emitter A is already paired to the motor, emitter B is a new one.
short press A emitter's learning button 8 times, the motor will vibrate.
short press B emitter's learning button one time, motor vibrates again, the remote is paired to the motor.

set motor to run step by step

short press emitter's learning button one time, short press UP button one time, motor vibrates.

inactive motor to run step by step(motor runs continuously)

short press emitter's learning button one time, short press DOWN button one time, motor vibrates.

set UP limit

short press emitter's learning button twice, short press UP button one time, motor vibrates.

set DOWN limit

short press emitter's learning button twice, short press DOWN one time, motor vibrates.

set favorite limit

stop motor at desirable position, press emitter's STOP button 4 times, motor vibrates.

delete UP limit

short press emitter's learning button 4 times, short press UP button one time, motor vibrates.

delete DOWN limit

short press emitter's learning button 4 times, short press DOWN button one time, motor vibrates.

delete current emitter from motor

short press emitter's learning button 7 times, short press emitter's UP button one time, motor vibrates, current emitter is deleted from the motor, it cannot control the motor again.

delete all paired emitters from motor

short press emitter's learning button 6 times, short press emitter's UP button one time, motor vibrates, all of paired emitters cannot able to control this motor again.

exchange motor running direction

short press emitter's learning button 6 times, short press emitter's DOWN button one time, motor vibrate.

motor run to favorite limit

Long press emitter's STOP button, motor will run to favorite limit automatically.